

S series S108

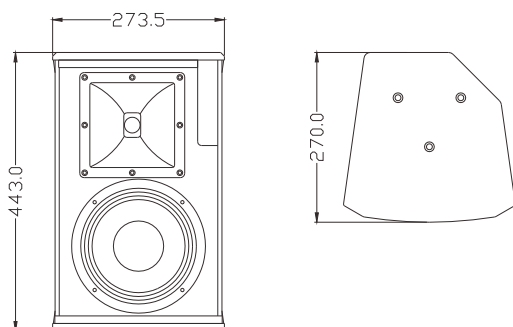
Two-way Loudspeaker System



S108 is a 8" 2-way full range speaker. It uses 1x8" high efficiency mid-bass unit, 1x1" exit throat 25mm voice coil HF driver with 90°×50° rotatable horn. The wood box adopts multilayer composite plywood with special environmental protection paint.

S108是一款8"两分音全频音箱，采用1只8"高效率中低音单元，1只1"喉口25芯高分子聚酯膜高音驱动器配上90°×50°可旋转号角，箱体采用多层复合夹板，水性环保喷涂制作。

CONFIGURATION



FEATURES

- High quality plywood with special environmental protection paint
- Compact 2-way design
- Rotatable horn
- Flexible mounting options
- Top hat fitting for tripod
- Used for back ground music, conference rooms, multipurpose halls, classrooms and small moving performance

产品特点

- 小体积、大功率，高声压级输出
- 可旋转号角、多种安装方式

适用范围

- 会议室、多功能厅，教室
- 小型演出

MODEL
FREQUENCY RESPONSE(-3dB)
FREQUENCY RESPONSE(-10dB)
DRIVERS

RATED POWER
SENSITIVITY
MAXIMUM SPL
IMPEDANCE
DISPERSION(-6dB)
CROSSOVER FREQUENCIES
INPUT CONNECTORS
PACKAGE SIZE
NET WEIGHT
GROSS WEIGHT

S108
 80 Hz-18kHz
 75Hz-20KHz
 1×8"(200mm)/2"voice coil LF
 1×1"(25mm)/1"voice coil HF
 150W RMS,600W peak
 93dB 1watt/1 metre
 115dB continuous,121 dB peak
 8 ohms nominal
 90°×50°
 2.8kHz passive
 Covered barrier strip terminals
 344mm×340mm×523mm
 10 kg/pc
 12 kg/pc